

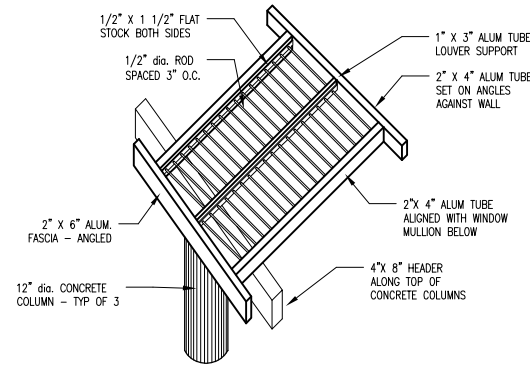


CITY OF CLEVELAND

GATEWAY BIKE STATION

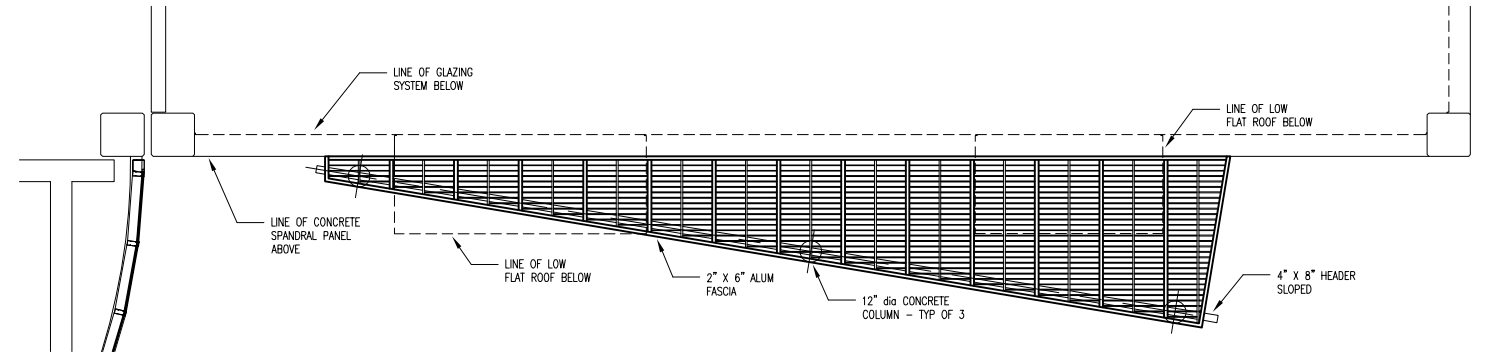
PROPOSAL SCHEME FOUR

PARTIAL ELEVATIONS



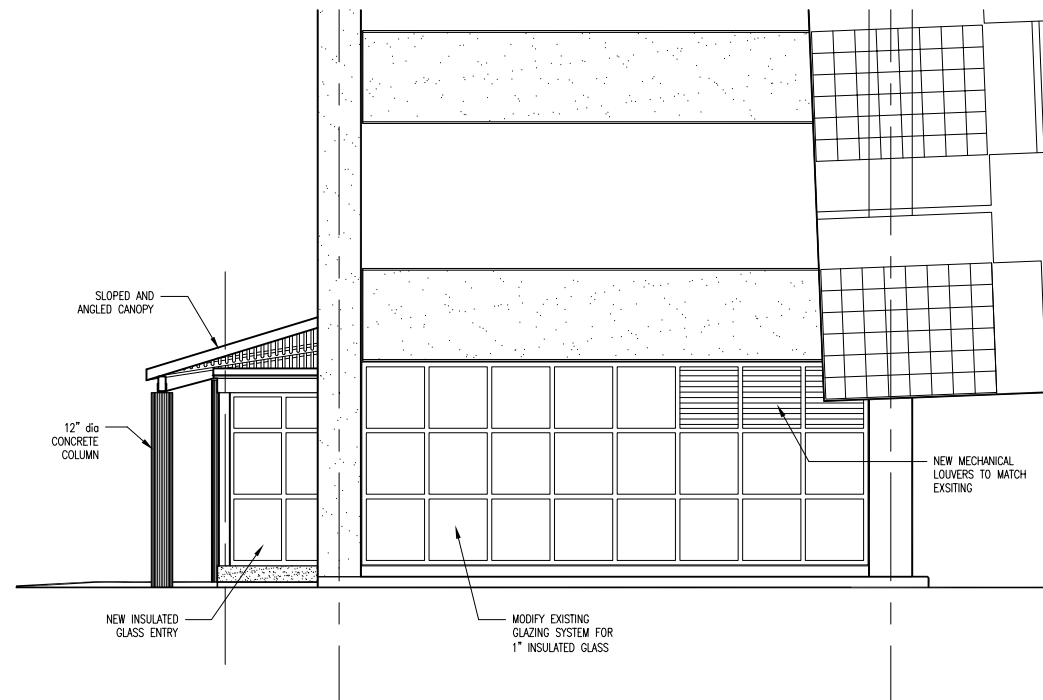
ROOF CANOPY ISOMETRIC

SCALE: 1/2" = 1'-0"



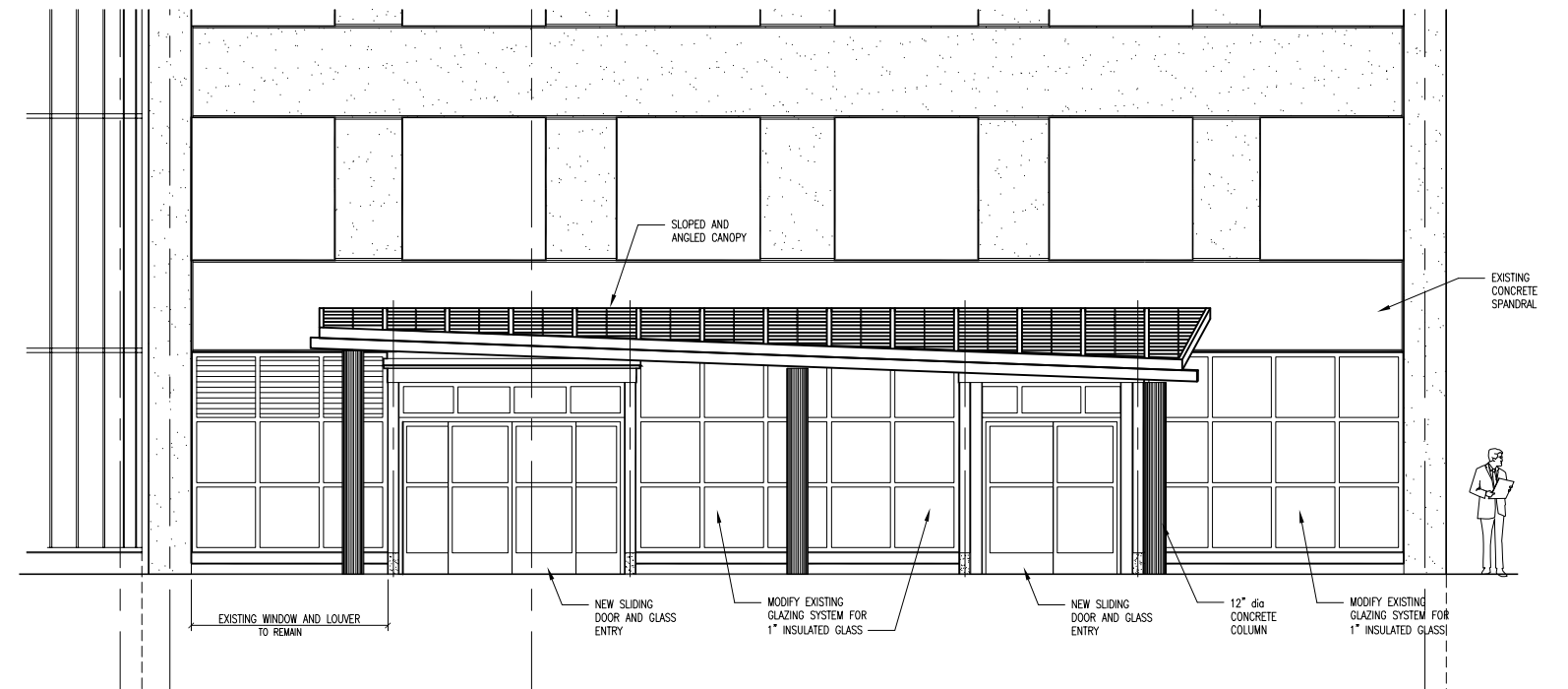
ROOF CANOPY PARTIAL PLAN

SCALE: 1/4" = 1'-0"



PARTIAL EXTERIOR ELEVATION

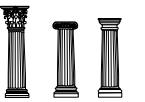
SCALE: 1/4" = 1'-0"



PARTIAL EXTERIOR ELEVATION

SCALE: 1/4" = 1'-0"

Division of Architecture
 Cleveland City Hall
 601 Lakeside Avenue
 Room 517
 Cleveland, Ohio 44114
 Phone: 216 664-2374
 Fax: 216 664-4220



MARCH 23, 2009